

USER AND INSTALLATION MANUAL

MAG:CFX®

ENGLISH

/CLUBBLOWER.®



CONFETTI FX

PART01955

rev 04-00

DISCLAIMER

⚠ WARNING

Read this manual carefully before installing and/or using this product. Failure to read the manual and to follow the printed instructions may lead to personal injury and/or damage to the product.

© 2021 MAGICFX®
All rights reserved.

Nothing from this publication may be copied, reproduced and/or published by means of printing, photocopying or by any other means, without the prior written approval of MAGIC FX.

MAGIC FX reserves the right to modify specifications stated in this manual.

TRADEMARKS

Any brand names mentioned in this manual are registered trademarks of their respective owners.

LIABILITY

MAGIC FX accepts no liability for claims from third parties arising from unauthorized use, use other than that stated in this manual, and use other than in accordance with the General Conditions registered at the Chamber of Commerce.

We further refer to the General Conditions. These are available on request, free of charge.

Although considerable care has been taken to ensure a correct and comprehensive description of all relevant components, the manual may nonetheless contain errors and inaccuracies.

Should you detect any errors or inaccuracies in the manual, we would be grateful if you would inform us. This helps us to further improve our documentation.

TABLE OF CONTENTS

Disclaimer	3
Trademarks	3
Liability	3
Foreword	5
Language	5
Revision table	5
1 Meet the MAGICFX® CLUBBLOWER!	6
1.1 Main parts	7
1.2 Technical data	8
1.3 Product identification	8
1.4 Accessories	9
1.5 Input & Output	9
2 Blow safely!	10
2.1 General safety rules	10
2.2 Transport	10
2.3 Indoor & Outdoor use	11
2.4 Rigging	11
2.5 Noise level	11
2.6 Safety symbols	11
2.7 Precautions for operation	11
3 Let's blow!	13
3.1 Install the machine	13
3.2 Mount below a truss	14
6.1 Mount on a truss	15
3.3 Connect power	16
3.4 Fill with confetti	17
3.5 Time to blow!	18
3.6 Clean up	19
4 Maintenance	19
5 Troubleshooting	19
6 Correct disposal	20
7 EC Declaration of Conformity	21

FOREWORD

Congratulations! You have bought a great new product from MAGIC FX.

This manual contains all information required for the intended use of the equipment. Deviation from the described intended use can result in a hazardous situation and/or property damage.

This manual includes notes and warnings on safe operation of the equipment. These notes and warnings are accompanied by the following icons. Read them attentively!

⚠ DANGER

Indicates a hazardous situation that, if not avoided, will result in death or serious injury. This signal word is to be limited to the most extreme situations.

⚠ WARNING

Indicates a hazardous situation that, if not avoided, could result in death or serious injury.

⚠ CAUTION

Indicates a hazardous situation that, if not avoided, could result in minor or moderate injury.

NOTICE

Indicates information considered important, but not hazard-related (e.g. messages relating to property damage).

LANGUAGE

This document contains the original instructions in English. In case you require other languages please contact MAGIC FX.

REVISION TABLE

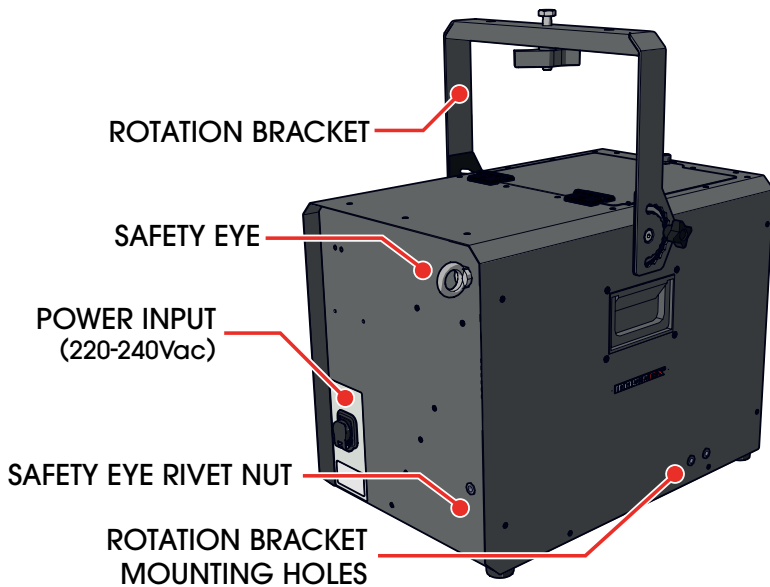
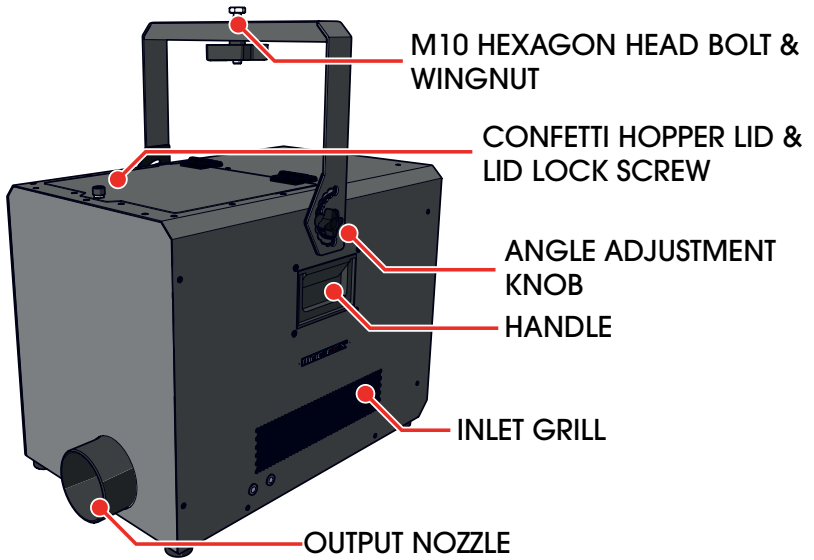
Doc nr	Revision	Date	Description	Author	Approved
PART01955	02-00	30-04-2021	Initial Release	NE	LL
PART01955	03-00	24-05-2021	Added Truss Plates	NE	LL
PART01955	04-00	04-06-2021	Added M6 Retraction Nut	NE	LL

1 MEET THE MAGICFX® CLUBBLOWER!

The MAGICFX® CLUBBLOWER is a special effect machine that blows confetti into the air using a powerful electric blower. Distances up to 7 meters can be reached!

The MAGICFX® CLUBBLOWER is equipped with a especially designed venturi nozzle and has a confetti hopper. The hopper has a foam roller that automatically doses the confetti.

1.1 MAIN PARTS

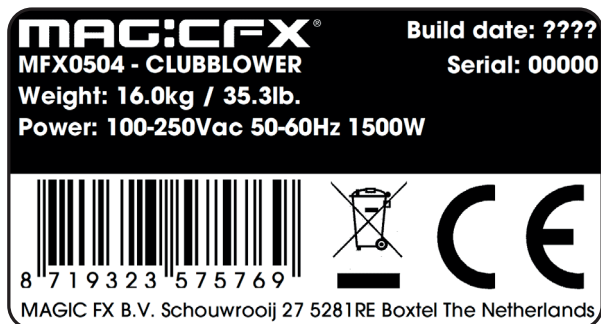


1.2 TECHNICAL DATA

Product	Product Name	MAGICFX® CLUBBLOWER	
	Product Code	MFX0504	
	Product Type	CONFETTI FX	
Main Dimensions	Length	548 mm	21.6 in
	Width	351 mm	13.9 in
	Height	430 mm	17.0 in
Weight	Weight	16 kg	35.3 lb
Environment	Minimum Temperature	0 °C	32 °F
	Maximum Temperature	50 °C	122 °F
	Humidity (Relative)	20 % to 90 % (non condensing)	
Electrical	Voltage Input	210 - 240 Vac	
	Voltage Frequency	50 - 60 Hz	
	Power Consumption	1500 W	
	Power Connector	Neutrik® powerCON TRUE1 in	
Usage	Consumable(s)	MAGICFX® CONFETTI	
	Consumable Consumption	Depends on type of confetti, see Section 1.5.	

Technical data

1.3 PRODUCT IDENTIFICATION



Type plate

1.4 ACCESSORIES

Code	Product
MF0313	SCHUKO TO NEUTRIK® POWERCON TRUE1 - CABLE 1.5 m
MF3103	Twenty Clamp (20 kg) M10
MF3106	Half Coupler (100 kg) M10
SPR00119	Safety Steel 60 cm - 25 kg

Accessories

Please contact MAGIC FX for additional possibilities.

1.5 INPUT & OUTPUT

Product can be put and hung in different angles.

The output distance depends on the type of confetti and the set angle. The maximum load per blast also depends on the type of confetti. Check the following table.

Consumable	Shape	Max. load hopper	Max. output distance at 45°		Consumption
MAGICFX®	55x17 mm	1 kg	6 m	19,7 ft	± 0,5 kg/min
	10x10 mm	0,5 kg	6 m	19,7 ft	± 0,5 kg/min
PAPER CONFETTI	6x6 mm	0,5 kg	6 m	19,7 ft	± 0,5 kg/min
	Shapes	1 kg	6 m	19,7 ft	± 0,35 kg/min
	Crunch Snow	0,5 kg	5 m	16,4 ft	± 0,2 kg/min
MAGICFX®	55x17 mm	2 kg	6 m	19,7 ft	± 0,7 kg/min
METALLIC CONFETTI	6x6 mm	2 kg	6 m	19,7 ft	± 0,5 kg/min
	Shapes	2 kg	6 m	19,7 ft	± 1 kg/min

Confetti types and related loads and output

⚠ WARNING

Using any other objects other than MAGICFX® CONFETTI can lead to death or serious injury.

NOTICE

Wind and other weather circumstances will influence the output distance. The given values are estimated values.

NOTICE

The estimated consumption values may deviate due the unpredictable state of confetti placed inside the hopper.

2 BLOW SAFELY!

The machine has been designed and constructed in such a manner that it can be used safely. This applies to the use, the circumstances and the regulations as described in this documentation. Reading this documentation and following the instructions are therefore necessary for everyone who is authorised to work with the machine.

The machine must be used in surroundings that:

- Have a stable temperature of between 0 and 50 °C.
- Have a relative humidity degree between 20 % and 90 % (non condensing).
- Are free of dust, corrosive gases and high concentrations of organic vapours.
- Are not situated in the vicinity of a source of vibration.

2.1 GENERAL SAFETY RULES

- Only authorized persons may carry out work with the MAGICFX® CLUBBLOWER.
- Do not use the MAGICFX® CLUBBLOWER if there are people or animals in the direct output.
- Do not use the MAGICFX® CLUBBLOWER if alterations have been made other than by or on behalf of MAGICFX®.
- Make sure that children, unauthorized people and animals do not obtain access to the MAGICFX® CLUBBLOWER.
- Make sure there are no free-standing objects or objects that can be damaged by the machine within the output distance.
- Make sure that confetti cannot come into contact with high-voltage lines/power pylons, as this can result in electrocution.
- Do not connect more units to a single electrical circuit than the installed fuse is able to handle. (Calculate the summed load with the electrical data from Chapter 1)
- Do not remove any safeguards, safety caps and safety symbols.
- All required safety devices must be in good condition and function properly.
- Ensure sufficient lighting of the surroundings.
- Keep the workplace clean.

2.2 TRANSPORT

- Clean the device, make sure there is no confetti left inside the device.

2.3 INDOOR & OUTDOOR USE

The MAGICFX® CLUBBLOWER is designed for indoor and outdoor use.

⚠ WARNING

The machine can not be used in rain or other wet conditions with any fluids.

2.4 RIGGING

Please follow the European and national guidelines for safe rigging and trussing.

2.5 NOISE LEVEL

The measured maximum noise level of the product is 80 dB(A) at 1 m distance away. This level of noise is only reached during the short instances that the output is active. Please follow the European and national guidelines regarding hearing protection.

2.6 SAFETY SYMBOLS

Symbol	Meaning
	Read the manual carefully before use!
	Rotating parts, risk of pinch! Keep hands and other body parts clear.



Safety symbols

2.7 PRECAUTIONS FOR OPERATION

⚠ WARNING

Using a damaged or an improper installed machine can lead to death, serious injury or property damage. Always inspect the machine thoroughly before operation.

⚠ WARNING

Unauthorized operation of the machine can lead to death, serious injury or property damage. Never leave the machine unattended when the machine is ready for use.

⚠ WARNING

Do not use the MAGICFX® CLUBBLOWER if alterations have been made other than by or on behalf of MAGICFX®.

⚠ DANGER

Make sure that confetti cannot come into contact with high-voltage lines/power pylons, as this can result in electrocution.

⚠ WARNING

Missing or obscured safety symbols on the machine can lead to death, serious injury or property damage. Make sure all safety symbols are correctly in place and visible, see Section 2.6.

⚠ WARNING

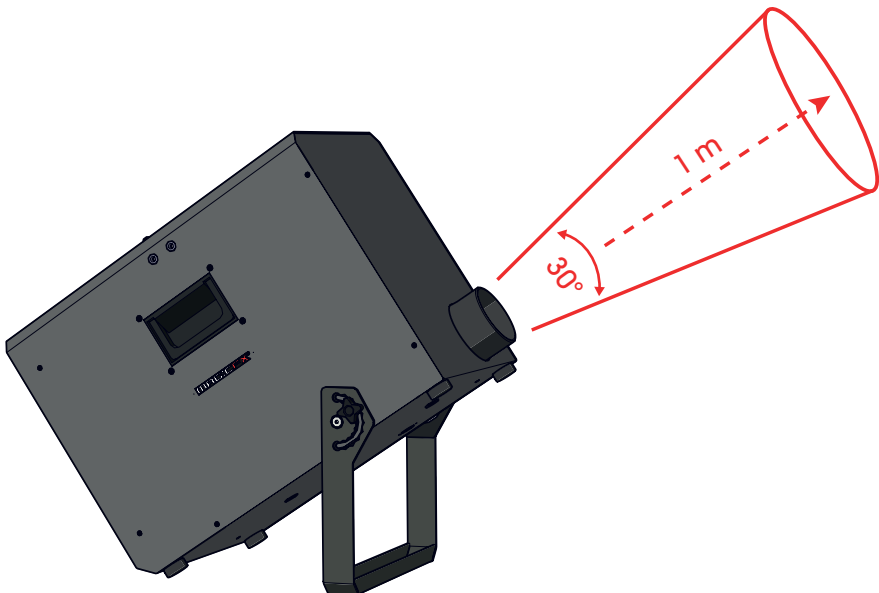
Make sure there are no objects near the input grill that can block the air to be sucked in.

⚠ WARNING

Make sure there are no objects near the output that can be damaged or overthrown by the MAGICFX® CLUBBLOWER.

⚠ WARNING

Always keep the output zone as shown in the image below clear of all people, animals and objects. Not doing so results in death or serious injury.

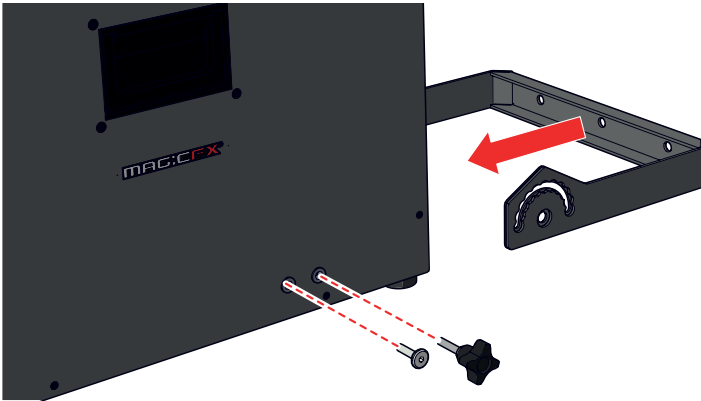


3 LET'S BLOW!

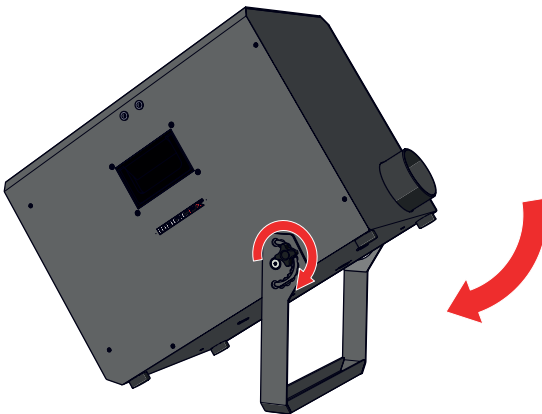
3.1 INSTALL THE MACHINE

- 1 Place the MAGICFX® CLUBBLOWER on a firm surface.
-

- 2 Mount the bracket using the supplied bolts and spacers.

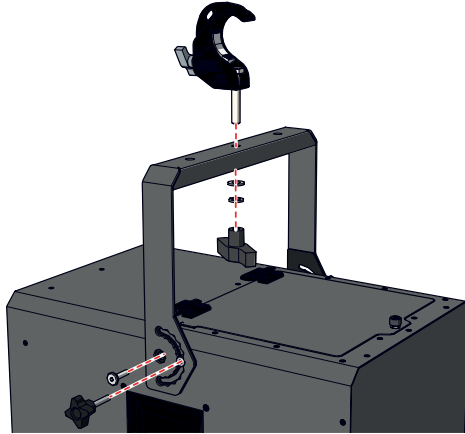


- 3 Place the MAGICFX® CLUBBLOWER under an angle by rotating the bracket to the bottom side of the machine and tighten the star knobs on both sides.



3.2 MOUNT BELOW A TRUSS

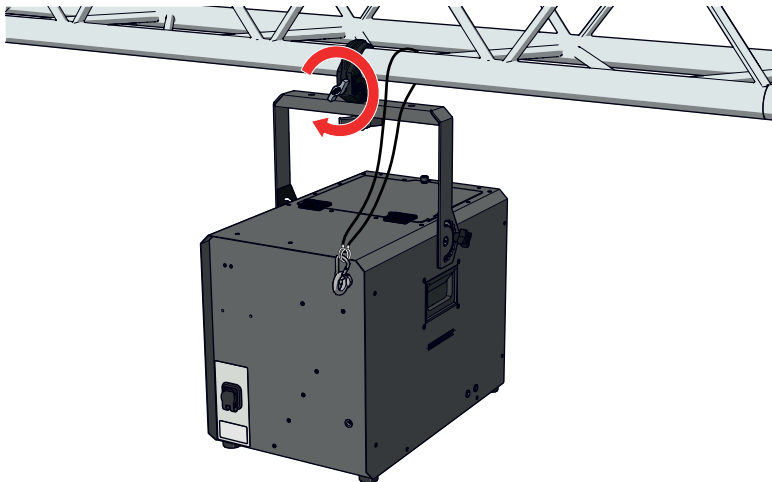
- 1 Mount the bracket on top of the machine and screw a twenty clamp (MFX3103) on top of the bracket with an M10 bolt, washer, spring washer and lock nut.



- 2 Mount the twenty clamp on a truss and secure with a certified safety cable.

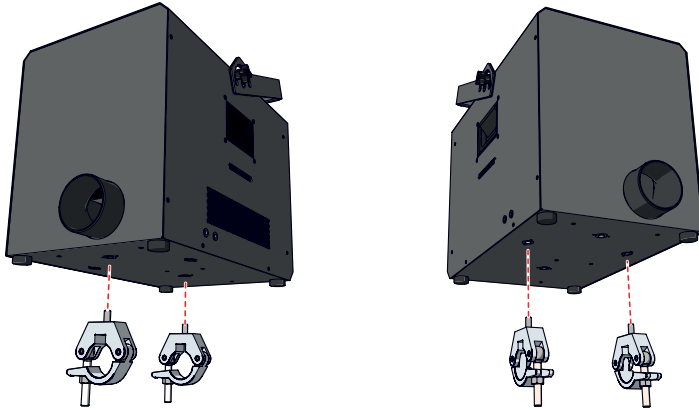
⚠ CAUTION

Always mount a certified safety eye according to your national safety guidelines. We strongly advise to use LOCKTITE® 243.



6.1 MOUNT ON A TRUSS

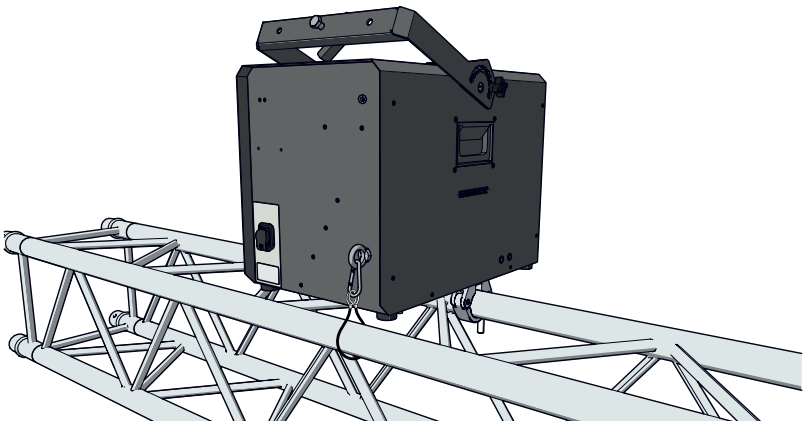
- 1 Screw two DOUGHTY® half coupler clamps (product code MFX3106) into the threaded holes (M10) on the bottom of the machine. Place them in the desired direction.



- 2 Mount the DOUGHTY® half coupler clamps on a truss and secure with a certified safety cable.

⚠ CAUTION

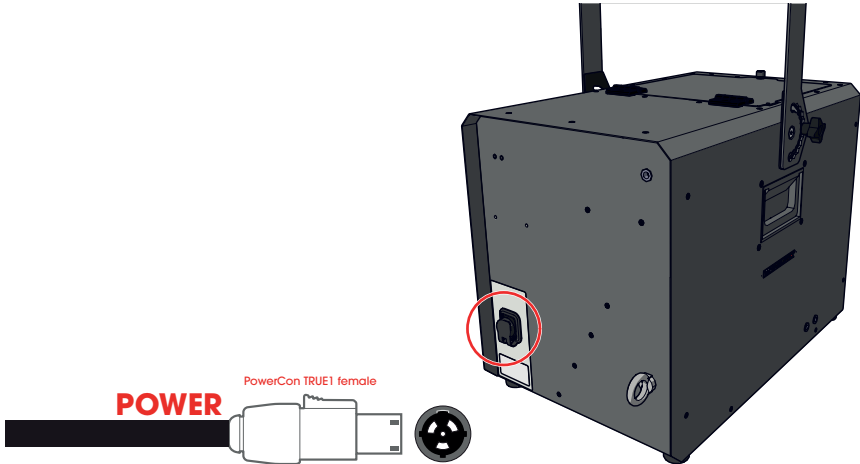
Always mount a certified safety eye according to your national safety guidelines. We strongly advise to use LOCKTITE® 243.



3.3 CONNECT POWER

- 1 Make sure that the power output on the controller or power switch is disabled.
-

- 2 Connect a powerCON TRUE1 power cable to the power input.



- 3 Connect the other end of the powerCON TRUE1 cable to the controller or power switch.

⚠ CAUTION

Do not connect more units to a single electrical circuit that the installed fuse is able to handle. (Calculate the summed load with the electrical data from Chapter 1)

3.4 FILL WITH CONFETTI

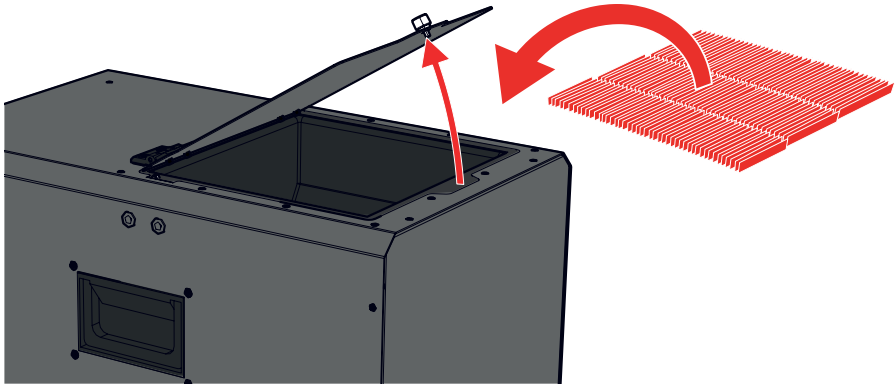
⚠ WARNING

Make sure the roller is not turning when filling up the machine

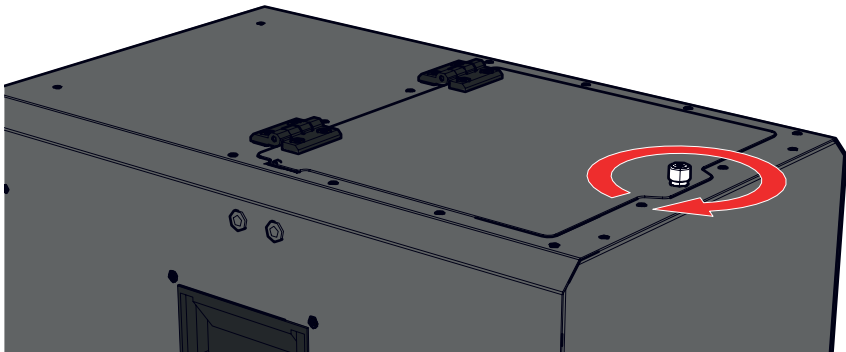
⚠ WARNING

Always check the hopper for objects other than MAGICFX Confetti

- 1 Unlock and open the lid. Fill the hopper with MAGICFX Confetti. Check Chapter 1.5 for the maximum amount of each type of MAGICFX Confetti



- 2 Close the lid and lock the panel screw.

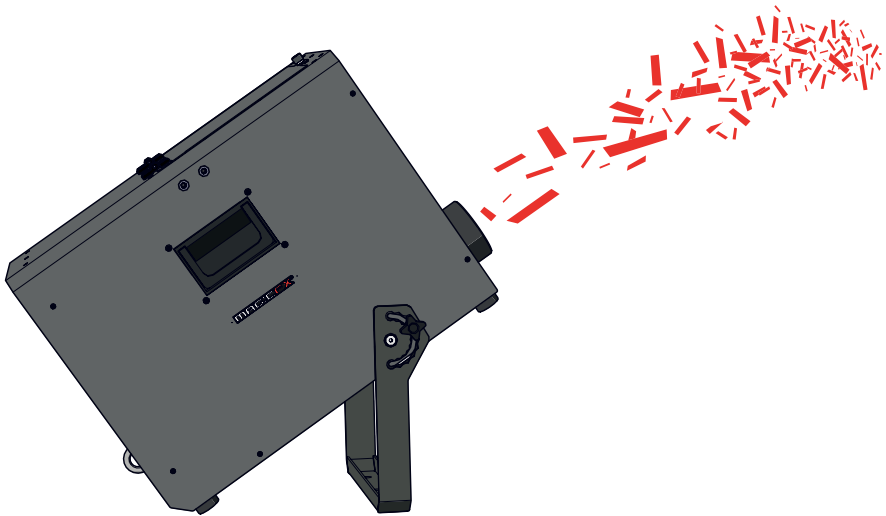


3.5 TIME TO BLOW!

1 Make sure that the direct output is free from persons, animals and objects.

2 When it's time to shoot, switch the power on.

3 Enjoy the view!



4 To deactivate, switch off the power.

3.6 CLEAN UP

⚠ CAUTION

Make sure the power is off and the rollers are not turning when cleaning up the machine.

- 1 Disconnect the cables, place the True1 protection cap.

- 2 Remove any remaining confetti from the hopper and from the outside of the machine.

4 MAINTENANCE

To achieve the maximum service life of the MAGICFX® CLUBBLOWER you must regularly clean the MAGICFX® CLUBBLOWER and test if it is functioning correctly.

Contact MAGIC FX if the MAGICFX® CLUBBLOWER is not functioning correctly.

⚠ DANGER

Do not replace parts yourself; always consult MAGIC FX.

5 TROUBLESHOOTING

Always contact MAGIC FX if any malfunctions or errors occur that cannot be solved with the instructions as described in this manual.

6 CORRECT DISPOSAL



This symbol on the product and / or accompanying documents means that used electrical and electronic products should not be mixed with general household waste. For proper treatment, recovery and recycling, please take this product to designated collection points where it will be accepted free of charge.

Alternatively, in some countries you may be able to return your products to your local retailer upon purchase of an equivalent new product.



Disposing of this product correctly will help save valuable resources and prevent any potential negative effects on human health and the environment, which could otherwise arise from inappropriate waste handling.

Please contact your local authority for further details of your nearest designated collection point.

Penalties may be applicable for incorrect disposal of this waste, in accordance with your national legislation.

7 EC DECLARATION OF CONFORMITY

According to Annex III A Machinery Directive 2006/42/EC

MAGIC FX B.V. declares as manufacturer and composer of the technical construction file that the product with the following specifications:

Name machine : CLUBBLOWER®
Type : MFX0504
Voltage : 210-240Vac 50/60Hz
Serial number : on product
Year of construction : on product

Is in conformity with the minimal safety regulations as stated in the following directive(s):

- LVD (2014/35/EU) Low Voltage Directive
- EMC (2014/30/EC) ElectroMagnetic Compatibility
- RoHS (2011/65/EU) Restriction of the use of certain Hazardous Substances
- WEEE (2012/19/EU) Waste Electrical & Electronic Equipment

The following harmonized standards were applied:

- NEN-EN-ISO 12100:2010 Safety of machinery - General principles for design - Risk assessment and risk reduction.
- NEN-EN-IEC 60204-1:2018, Safety of machinery - Electrical equipment of machines - Part 1: General requirements.
- NEN-EN-IEC 61000-6-3:2007/A1:2011, Electromagnetic compatibility (EMC) - Part 6-3: Generic standards - Emission standard for residential, commercial and light-industrial environments.

Original declaration of conformity

Translation of the original declaration of conformity

Name manufacturer : MAGIC FX B.V.
Address : Schouwrooij 27, 5281 RE BOXTEL
Country : The Netherlands

CEO : B. Veroude
Date : 18-8-2020

Signature : 

MAG:CFX[®]

WWW.MAGICFX.EU

